



PLATFORM BODIES

LIGHT WEIGHT • FUEL SAVINGS • NO PAINT • DESIGNED TO LAST



*Stake racks optional

96" Wide Standard
102" Wide Available

HEAVY DUTY PLATFORMS

For medium and heavy duty commercial and agricultural uses.

LONG MEMBER HEIGHTS:
8'6" through 12' - 5"
14' through 16' - 6"
18' through 20' - 8"

Choice of Pressure Treated Yellow Pine, Rumber™, Treadplate Aluminum, Smooth Aluminum, Extruded Aluminum or Aluminum Over Wood Floor

2" x 4" Stake Pockets on 24" Centers



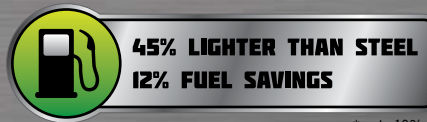
Recessed Light Holes Provide Superior Protection for L.E.D. Lighting. All Lighting Meets FMVSS-108 Requirements. Recessed Rubber Mounted Lights are Protected from Impact and Weather.

Cross Members on 16" Centers (12" Centers Optional)

1/8" Formed Aluminum Sides, Front and Rear Outrail

Aluminum High Strength Structural 4" Cross Members Combine with Structural Channel Long Members for the Strongest Platform Available

New Mirror Finish Available!



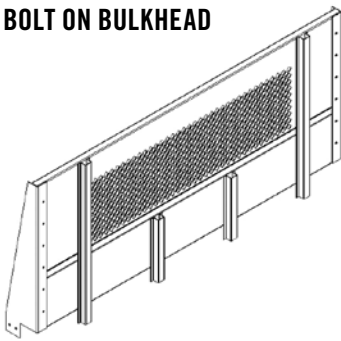
*up to 12%



FUTURELINE MANUFACTURING PLATFORM DIMENSIONS AND WEIGHTS

PLATFORM DIMENSIONS	WOOD	SMOOTH ALUMINUM .160"	TREAD PLATE 1/8"	EXTRUDED ALUMINUM 1/4"
8'6" X 80"	322	325	304	336
9' X 96"	345	348	324	359
10' X 96"	383	386	362	398
11' X 96"	420	424	395	432
12' X 96"	457	462	432	476
14' X 96"	546	552	517	568
16' X 96"	630	640	600	660
18' X 96"	760	770	721	790
20' X 96"	840	850	800	845

BOLT ON BULKHEAD

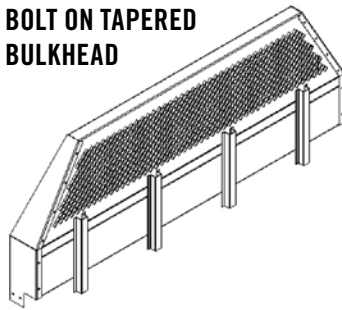


- 1/8" ALUMINUM SKIN SHEET WITH CORRUGATION FOR ADDED STRENGTH
- SKIN IS WELDED TO .160 EXTRUDED HAT SECTIONS
- PUNCHED HOLE WINDOW

SIZES AVAILABLE:

36" X 96"
40" X 96"
48" X 96"
52" X 96"

BOLT ON TAPERED BULKHEAD

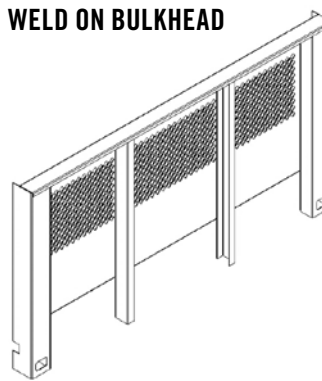


- 1/8" ALUMINUM SKIN SHEET WITH CORRUGATION FOR ADDED STRENGTH
- SKIN IS WELDED TO .160 EXTRUDED HAT SECTIONS
- PUNCHED HOLE WINDOW
- TAPERED TO CAB

SIZES AVAILABLE:

36" X 96"
40" X 96"

WELD ON BULKHEAD

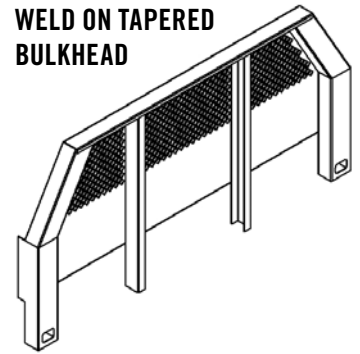


- 1/8" ALUMINUM SKIN SHEET
- INNER STAKES ARE .160 EXTRUDED CHANNEL
- CORNER POSTS ARE GUSSETED TO SIDE RAILS FOR ADDED STRENGTH
- FULL ACCESS DESIGN ALLOWS MATERIAL TO BE LOADED FLUSH WITH FRONT OF PLATFORM

SIZES AVAILABLE:

40" X 96"
48" X 96"
52" X 96"

WELD ON TAPERED BULKHEAD



- 1/8" ALUMINUM SKIN SHEET
- INNER STAKES ARE .160 EXTRUDED CHANNEL
- CORNER POSTS ARE GUSSETED TO SIDE RAILS FOR ADDED STRENGTH
- FULL ACCESS DESIGN ALLOWS MATERIAL TO BE LOADED FLUSH WITH FRONT OF PLATFORM
- TAPERED TO CAB

SIZES AVAILABLE:

38" X 96"
48" X 96"

SIDE ASSEMBLY OPTIONS

ALUMINUM STAKE RACKS

Stake racks are 6061 alloy extruded aluminum. Racks include all hardware and locking mechanisms. A complete rack set consists of sides, rear and back. Aluminum stake racks are available in 28" and 40" tall sizes.

- **40" SOLID ALUMINUM STAKE SIDES**
With two piece cargo doors.
- **12" CONTRACTOR SIDES & TAILGATE**
- **12" SOLID CONTRACTOR SIDES & TAILGATE**
- **MIRROR FINISH**