

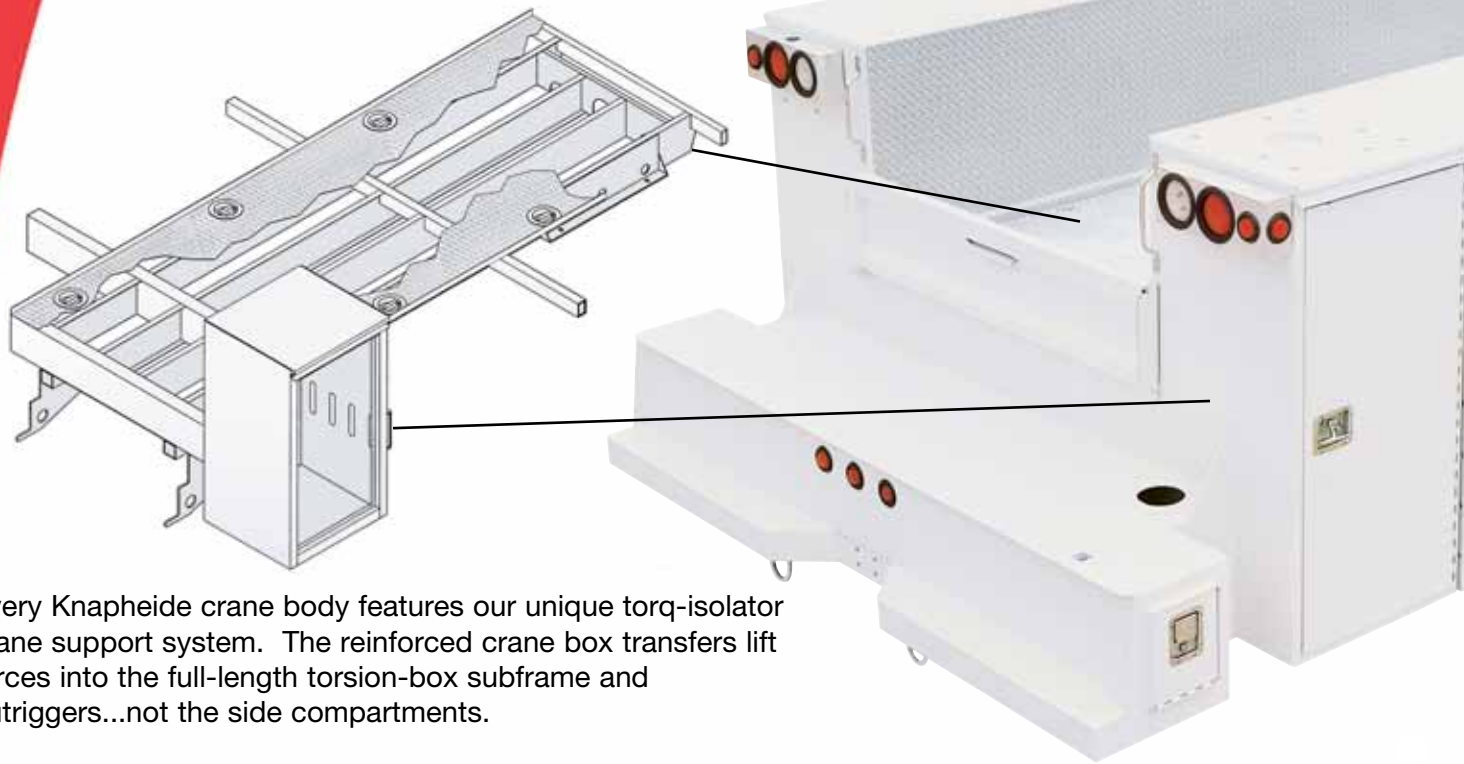


Crane Bodies



Three Big Reasons to choose Knapheide

1 THE MOST ADVANCED CRANE BODY DESIGN



Every Knapheide crane body features our unique torque-isolator crane support system. The reinforced crane box transfers lift forces into the full-length torsion-box subframe and outriggers...not the side compartments.

3 WITH PROVEN FEATURES FROM THE LEADING SERVICE BODY MANUFACTURER

Additional Features and Specifications

- A-40 galvaneal compartments and doors
- 1/8" treadplate floor, tops and backs, full-seam continuous welded
- 12-gauge bottom and end panels of compartments
- 14-gauge inner partitions of compartments
- Doors are double-panel with 14 gauge outside panels and hat-section reinforcements



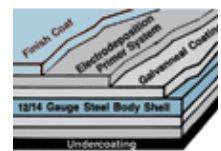
• Double spring over center door closures on all vertical doors, keeps door in positive open or closed position.



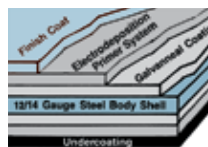
• 250-lb capacity adjustable divider shelves made of spangle galvanized steel. Limited quantity of dividers furnished standard. Divider slots on 4" centers. With Knapheide's exclusive six-year warranty.



• Medium glass, mar resistant, light gray finish brightens interiors and makes finding contents easier.



• Complete undercoating provides protection from corrosion and road debris.



• Rugged 12 and 14-gauge two-sided A-40 galvaneal steel body shell. With Knapheide's exclusive six-year warranty.



• Double-shell, 14 ga. outer panel, two-sided A-40 galvaneal steel hat section reinforced doors for durability and long life. With Knapheide's exclusive six-year warranty.



• Exclusive thick automotive bulb-type neoprene door seats protect compartment contents from weather.



• Exclusive all stainless steel continuous hinge provides superior corrosion protection, full length support for the doors and pry-proof security with a built-in weather shield. Hinge is supported with Knapheide's exclusive six-year warranty.

side for your next Mechanic's Truck...

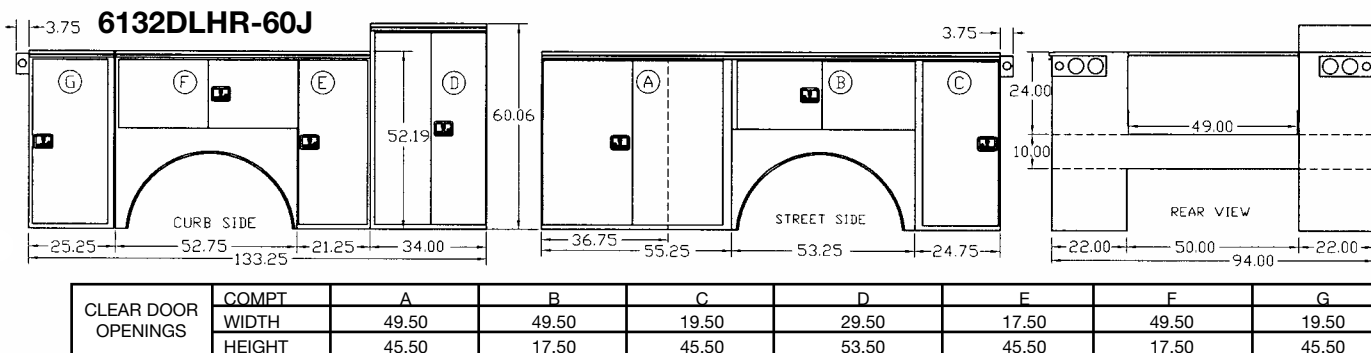
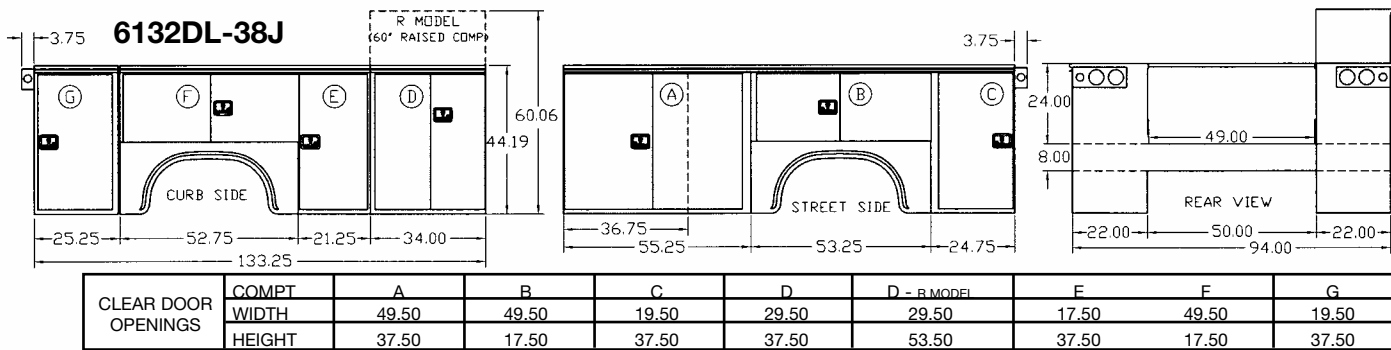
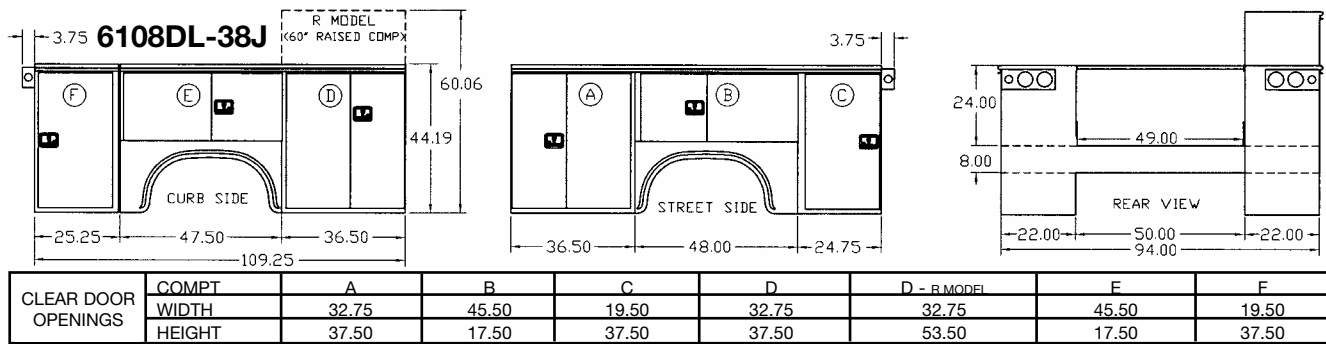
2 PROTECTED BY THE LATEST TECHNOLOGY IN STEEL COATINGS



Model 6132DLHR-60J
Shown with optional bumper/tailshelf



Every Knapheide crane body receives our exclusive K-Coat protection with 12 stages of cleaning, pre-treat, electrodeposition prime coat, rinse and curing. K-Coat insures complete and uniform coverage of epoxy primer for maximum protection against corrosion.



Applications

Body Model	Body Weights <small>Weights include body only (no bumper or shelving)</small>	Max. Crane Size	Chassis CA	Chassis* Min. GVWR	Max. Tire Size
6108DL-38J 6108DLR-38J	2,388 2,408	6,000 lb. (38,000 ft.-lb.)	60"	15,000 lb. (17,500 for 6,000 lb. crane)	19.5" dia. rims 34" tire dia.
6132DL-38J 6132DLR-38J	2,911 2,931	6,000 lb. (38,000 ft.-lb.)	84"	15,000 lb. (17,500 for 6,000 lb. crane)	19.5" dia. rims 34" tire dia.
6132DLHR-60J	3,200	10,000 lb. (60,000 ft.-lb.)	84"	19,500 lb. (27,000 for 10,000 lb. crane)	22.5" dia. rims 46" tire dia.

*Final determination of chassis specifications and minimum GVWR required for the body, crane and other mounted equipment is the responsibility of the installer. Also, see crane manufacturer's specifications for minimum chassis requirements.

Standard Equipment

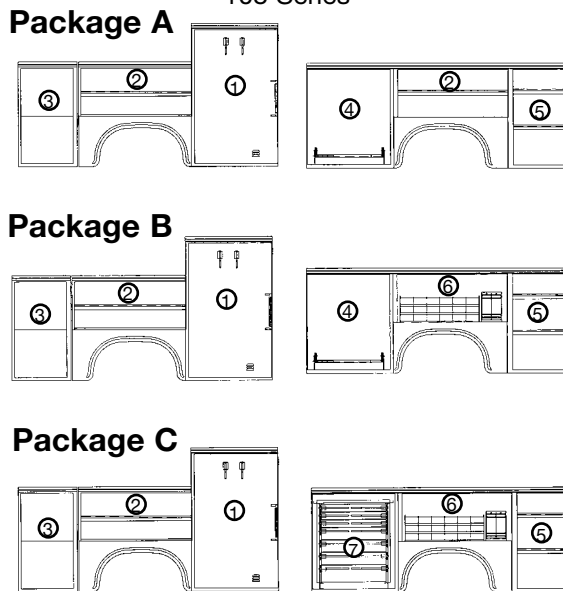
- Cargo tie-downs: D-ring type, recessed in floor, 6,000 lb. capacity (four in 108" bodies and six in 132" bodies)
- Two chrome grab handles
- Bolt-on slammable tailgate
- Stop/turn/tail/backup, marker, and RID lights with light wire harness
- Aluminum light boxes for external mounting of rear lights
- Shelf clips with 2" spacing
- Overlap doors on front vertical and horizontal compartments
- Stainless steel three-point T-handle latches
- Pre-drilled mounting holes on crane pedestal for ease of installing most popular cranes
- Rubber fenderettes (model 6132DLHR-60J only)
- Drip pan under crane mount
- Fixed shelf in crane compartment

Optional Interiors

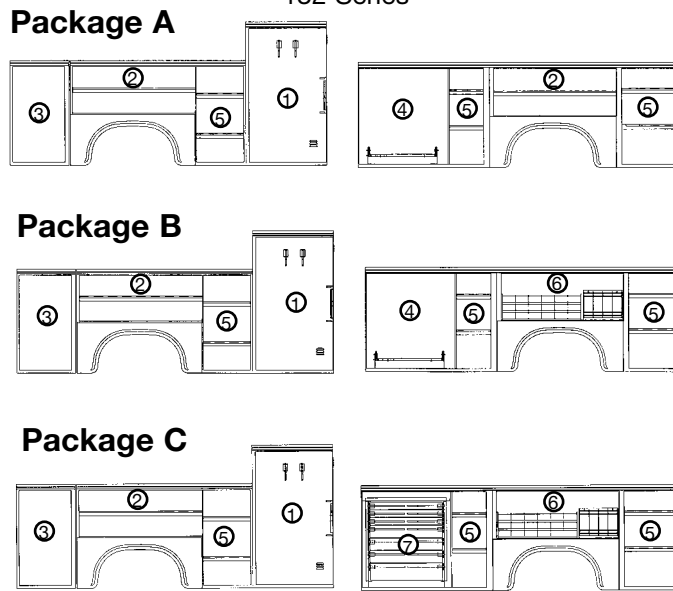
Legend for Optional Interiors

- 1) Gas bottle retainer (2 bottles), vented top and bottom, (2) combination stationary/swivel hooks
- 1A) For non-R models (no raised compartment), the bottle brackets are replaced with (2) adjustable divider shelves
- 2) One shelf with 8 dividers each
- 3) Fixed shelf (STD)
- 4) Pull-out tray, 500 lb. capacity, 3/4" plywood lined
- 5) Two adjustable divider shelves with 4 dividers each
- 6) 18 drawer cabinet and book rack
- 7) 7 drawer unit (1) 7", (3) 5" and (3) 3" on full extension slides with 250 lb. capacity

108 Series

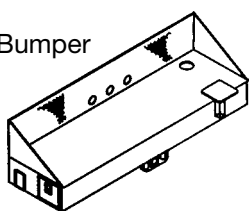


132 Series

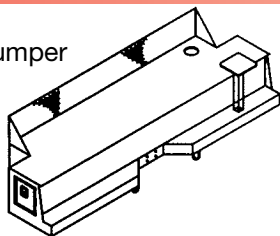


Optional Bumpers

38J Bumper



60J Bumper



- 21" deep step and work surface (60J bumper has lower step 5" deep)
- Grip tape supplied for step surfaces
- Through compartment with door each side (clear opening 6 3/4" x 6 1/8"-38J), (clear opening 6 3/4" x 8 1/8"-60J)
- Removable vise bracket with receiver tube
- Hitch ready: 38J has 2" I.D. receiver, 60J has pintle hook ready mounting with safety chain anchors. No drawbar or pintle hook supplied
- Weight with receiver tube for crane: 483 lbs.-38J, 611 lbs.-60J

The Knapheide Manufacturing Company
1848 Westphalia Strasse
Quincy, Illinois 62305

(217) 222-7131
www.knapheide.com
knapheide@knapheide.com

L61 5M 0210 D



SINCE 1848

Quality You Ask For By Name

Copyright © 2008 The Knapheide Manufacturing Company

For more information:



Specifications subject to change without notice.